

Fluid-o-Tech high volume rotary vane pumps



Inlet and outlet ports are 1/2" NPT female threaded and the pump is equipped with a built-in adjustable by-pass valve. The pump can be connected to coupling direct motor with a metallic clamp or to M71 and M80 unel mec frame motors with the Fluid-o-Tech coupling and adapter set.

All models, upon request, are available:

- with special clearances (suffix-H) for temperature higher than 70 °C (158 °F) max 90 °C (194 °F)
 - with Viton/EPDM seals (suffix-E) for special fluids
 - NSF listed pumps for potable water
- In this case the prefix for each model is PA instead of PO.

The high volume rotary vane pumps manufactured by Fluid-o-Tech and sold worldwide under the trademark Rotoflow are available in six flow ratings to meet the needs of high volume pumping.

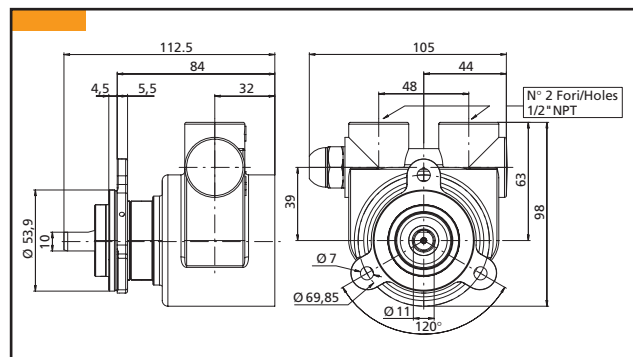
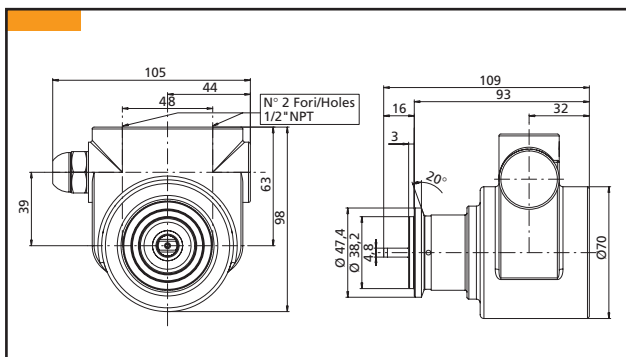
Technical features and manufacturing characteristics

The rotary vane pump with brass or stainless steel body utilizes a stainless steel AISI 303 rotor, while the pumping chamber and the vanes are in graphitic carbon.



Main applications

- Post-mix drink dispensers
- Cooling and booster systems
- Fuel injection systems
- Reverse osmosis
- Ultra-filtration



Fluid-o-Tech
<http://www.fluidotech.it>

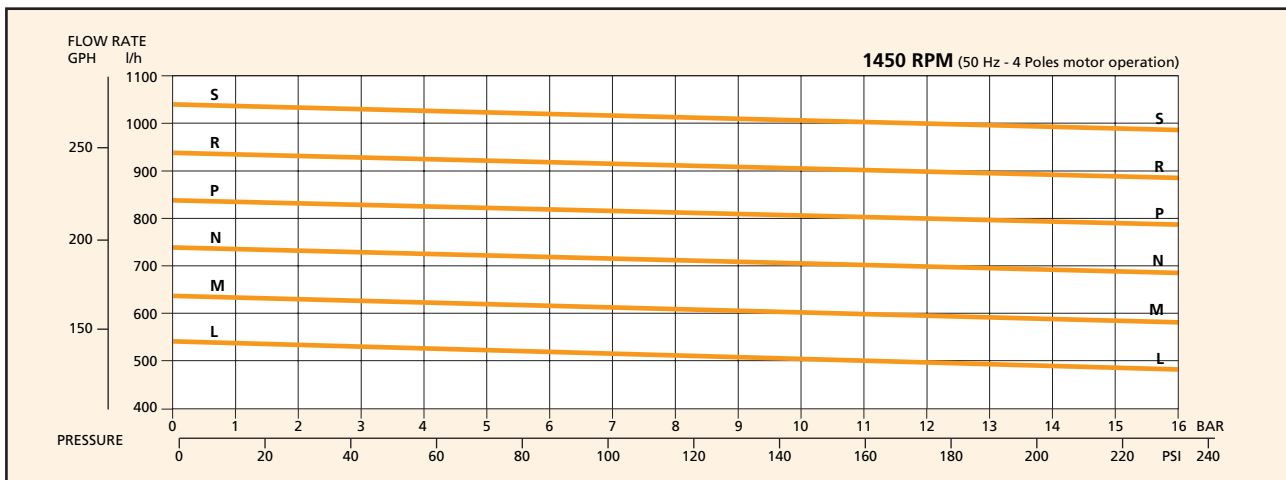
Via Morimondo, 23
20143 Milano - Italy
Tel. (39) (02) 8917071
Fax (39) (02) 89170799

161 Atwater St.,
Plantsville CT (USA) 06479
Tel. (1) (860) 276-9270
Fax (1) (860) 620-0193

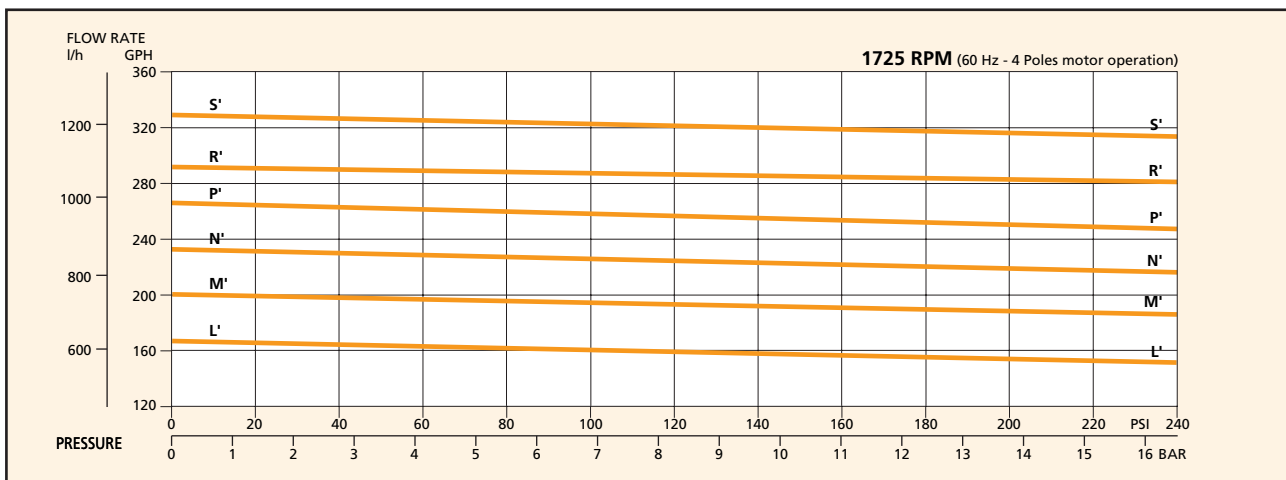
6F, 2-19-2, Akasaka,
Minato-ku, Tokyo 107-0052 Japan
Tel. (81) (0) 3-3585-8471
Fax (81) (0) 3-3585-8472

Fluid-o-Tech high volume rotary vane pumps

MODEL PO/PA Brass	500	501	500F	501F	600	601	600F	601F	700	701	700F	701F	800	801	800F	801F	900	901	900F	901F	1000	1001	1000F	1001F
MODEL PO/PA Stainless steel	510	511	510F	511F	610	611	610F	611F	710	711	710F	711F	810	811	810F	811F	910	911	910F	911F	1010	1011	1010F	1011F
l/h at 2 bar			540				640				740				840			940						1040
l/h at 7 bar			520				620				720				820			920						1020
l/h at 14 bar			497				597				697				797			897						997
Figure			L-L				M-M				N-N				P-P			R-R						S-S
By-Pass valve	NO	YES	NO	YES	NO	YES	NO	YES	NO	YES	NO	YES	NO	YES	NO	YES	NO	YES	NO	YES	NO	YES	NO	YES
Flange mount	NO	NO	YES	YES	NO	NO	YES	YES	NO	NO	YES	YES	NO	NO	YES	YES	NO	NO	YES	YES	NO	NO	YES	YES
Clamp mount	YES	YES	NO	NO	YES	YES	NO	NO	YES	YES	NO	NO	YES	YES	NO	NO	YES	YES	NO	NO	YES	YES	NO	NO



MODEL PO/PA Brass	500	501	500F	501F	600	601	600F	601F	700	701	700F	701F	800	801	800F	801F	900	901	900F	901F	1000	1001	1000F	1001F
MODEL PO/PA Stainless steel	510	511	510F	511F	610	611	610F	611F	710	711	710F	711F	810	811	810F	811F	910	911	910F	911F	1010	1011	1010F	1011F
GPH at 20 psi			170				201				232				264			295						327
GPH at 100 psi			165				196				227				259			290						322
GPH at 200 psi			159				190				221				253			284						316
Figure			L'-L'				M'-M'				N'-N'				P'-P'			R'-R'						S'-S'
By-Pass valve	NO	YES	NO	YES	NO	YES	NO	YES	NO	YES	NO	YES	NO	YES	NO	YES	NO	YES	NO	YES	NO	YES	NO	YES
Flange mount	NO	NO	YES	YES	NO	NO	YES	YES	NO	NO	YES	YES	NO	NO	YES	YES	NO	NO	YES	YES	NO	NO	YES	YES
Clamp mount	YES	YES	NO	NO	YES	YES	NO	NO	YES	YES	NO	NO	YES	YES	NO	NO	YES	YES	NO	NO	YES	YES	NO	NO



Characteristics at constant motor speed, with water at 68 °F and by-pass blocked - Figures of flow are averages - Pump weight: 1,9 kg (4,2 Lbs) clamp mount and 2 kg (4,4 Lbs) flange mount

For applications involving other fluids, high temperatures or unusual processing conditions, please consult the factory or an authorized Fluid-o-Tech distributor

PO - HV - 02/03 Ed.



Fluid-o-Tech
<http://www.fluidotech.it>

Via Morimondo, 23
 20143 Milano - Italy
 Tel. (39) (02) 8917071
 Fax (39) (02) 89170799

161 Atwater St.,
 Plantsville CT (USA) 06479
 Tel. (1) (860) 276-9270
 Fax (1) (860) 620-0193

6F, 2-19-2, Akasaka,
 Minato-ku, Tokyo 107-0052 Japan
 Tel. (81) (0) 3-3585-8471
 Fax (81) (0) 3-3585-8472